

Customer Name: _____

Purchase Order #: _____

Factory Order #: _____

Cup Color(s): _____ *

Imprint Color(s): _____

DIE#: _____

Quantity: _____

Style # SC12 - 12 oz. Stadium Cup

Template Shown at 100%

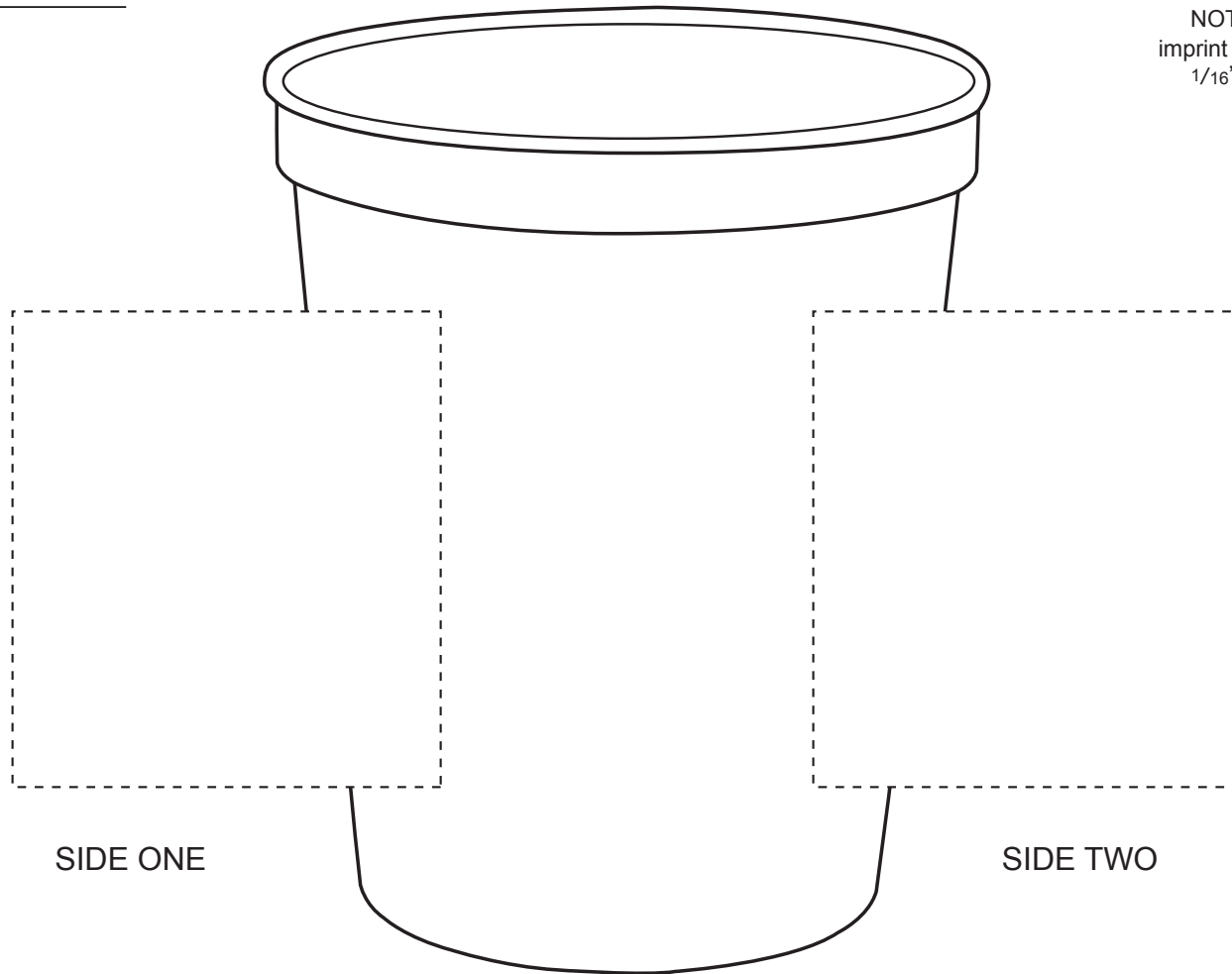
Border Does Not Print

Imprint Area:

2 1/4" W x 2 1/2" H / side

NOTE: Artwork was sized to fit our
imprint area. Industry standard allows
1/16" movement in any direction

FACTORY	SALESMAN #
---------	------------



ART NOTES: _____

*