

Style # BC4 - 4" Bag Clip

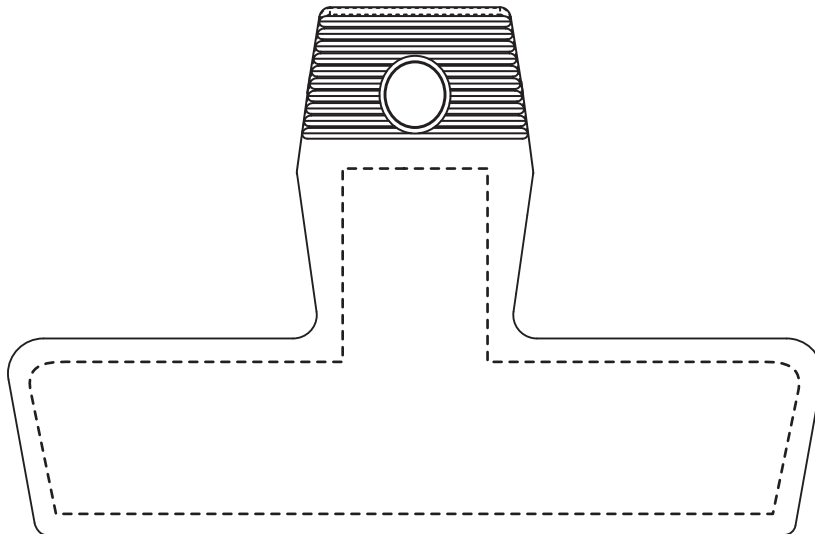
Customer Name: _____
Purchase Order #: _____
Factory Order #: _____
Product Color(s): _____
Imprint Color(s): _____
DIE#: _____
Quantity: _____

Template Shown at 100%
Border Does Not Print
Product Size: 4 1/4" W x 2 5/8" H
Base Imprint Area: 3/4" H x 3 3/4" W
Grip Imprint Area: 1" H x 3/4" W

NOTE: Artwork was sized to fit our
imprint area. Industry standard allows
1/16" movement in any direction

FACTORY MT	SALESMAN #
---------------	------------

*



ART NOTES: _____

*